

Zero-Tail Swing Mini-Excavator

Our new AIRMAN series operator-friendly Zero-tail swing mini-excavator, AX10u-4/AX17u-4 offers improved serviceability and safety, in addition to basic operations including digging, loading, and leveling.

AX10u-4

980kg **0.022m³**

Total Weight Bucket Capacity

AX17u-4

1770kg **0.044m³**

Total Weight Bucket Capacity



AX17u-4
Supports 3-pillar canopy
ROPS/OPG (TOP guard)



AX10u-4

◆ Workability

- Zero-tail swing design enables the operator to work without worrying about the rear, thereby improving the efficiency of work.
- When passing through a narrow pathway or gate on the way to the job site, the machine width can be contracted (AX10u: 780mm, AX17u: 980mm). The machine width can be extended (AX10u: 1000mm, AX17u: 1280mm) during operation to ensure stability. The crawler can be extended or contracted according to the situation.

◆ Safety

- Use the lock lever to lock the levers for boom, swing and travel operation, thereby preventing improper operation.
- The machine utilizes a mechanism for starting the engine in neutral with the lock lever in the locked position.

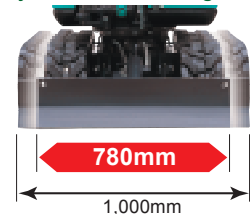
◆ Serviceability

- Front hoses are stored in the arm to protect them from damage. Articulated hose is used to make it easy to replace if it is damaged.
- A fully openable engine cover has been utilized.

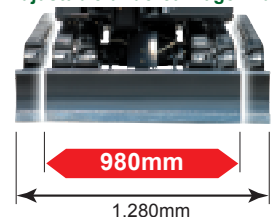
◆ Operability

- Use of the hydraulic pilot makes for smooth and light operation.

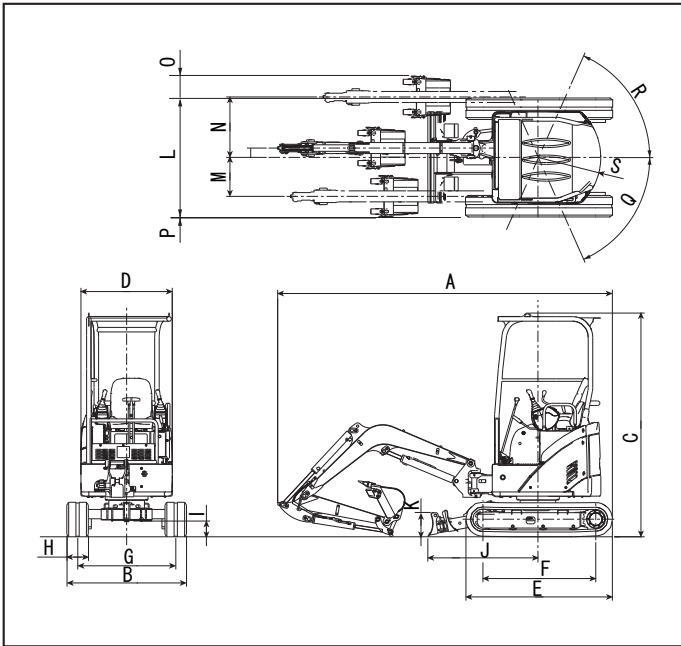
(AX10u-4)
Adjustable undercarriage width



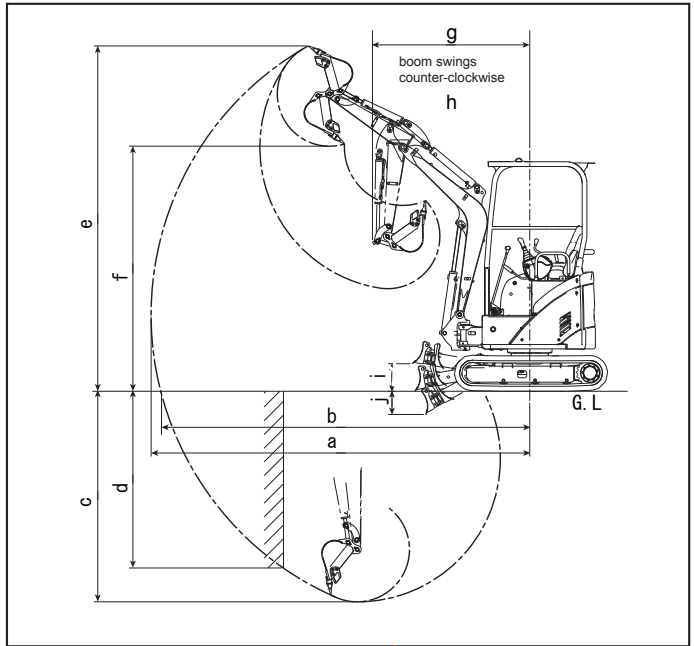
(AX17u-4)
Adjustable undercarriage width



■ Dimensions



■ Working Range



■ Specifications

Item	Model	AX10U-4	AX17U-4
● Summary Specification			
Roof type		—	3-pillar / 2-pillar canopy
Crawler type		rubber	
● Weight and Capacity			
Machine weight	kg	980	1,770 / 1,750
Standard bucket capacity	m ³	0.022	0.044
Standard bucket width	mm	370	450
● Diesel Engine			
Name		Yanmar 3TNV70	
Type		water cooling 4-cycle 3-cylinder swirl chamber type	
Displacement	L	0.854	
Rated output	kW/min ⁻¹	9.5/2,100 [12.9PS/2,100rpm]	11.0/2,400 [15.0PS/2,400rpm]
● Hydraulic System			
Hydraulic pump type		gear type×2 (for operation) gear type×1	variable displacement axial piston type×2 gear type×1 (for operation) gear type×1
Main relief setting pressure	MPa	17.7 [180kgf/cm ²]	20.6 [210kgf/cm ²]
Swing hydraulic motor type		internal gear type×1	
Drive hydraulic motor type		variable displacement axial piston type ×2	
● Maximum Digging Force			
Bucket	kN	11.8 [1,200kgf]	16.0 [1,630kgf]
Arm	kN	6.0 [610kgf]	10.3 [1,050kgf]
● Speed			
Drive speed (high/low)		4.0/2.0	4.3/2.4
Swing speed	min ⁻¹	8.7	8.9
Gradable angle	degree	30	30
● Undercarriage			
Crawler width	mm	180	230
Ground pressure	kPa	23 [0.24kgf/cm ²]	28 [0.29kgf/cm ²]
Crawler adjustment method		grease cushioning spring type	
● Others			
Fuel tank capacity	L	16.0	19.5
Hydraulic oil tank capacity	L	14.6 (standard level 12)	20.2 (standard level 15.7)
Engine lubricating oil vol.	L	2.8	3.1

■ Outer Dimensions, Working Range

Numeric values indicate dimensions of the machine equipped with a standard bucket and standard arm.

Item	Model	AX10U-4	AX17U-4
A : Overall length in transport condition	mm	2,940	3,590
B : Overall width in transport condition	mm	1,000 (780)	1,280 (980)
C : Overall height in transport condition	mm	1,450	2,400
D : Overall width of swing machinery	mm	780	980
E : Overall length of crawler	mm	1,360	1,570
F : Center distance of tumblers	mm	1,040	1,210
G : Overall width of crawler	mm	1,000 (760)	1,280 (970)
H : Track gauge	mm	820 (580)	1,050 (740)
I : Crawler width	mm	180	230
J : Ground clearance	mm	130	165
K : Horizontal distance of blade	mm	885	1,180
L : Blade height	mm	200	260
M : Blade width	mm	1,000 (760)	1,280 (980)
N : Left offset	mm	420	420
O : Right offset	mm	535	650
P : Right extrusion	mm	220	190
Q : Left extrusion	mm	110	30
R : Swing angle to the left	°	65	70
S : Swing angle to the right	°	55	50
T : Tail swing radius	mm	520	675
a : Max. digging radius	mm	3,220	3,900
b : Max. digging reach at grade level	mm	3,140	3,800
c : Max. digging depth	mm	1,780	2,170
d : Max. vertical wall depth	mm	1,670	1,830
e : Max. digging height	mm	3,010	3,560
f : Max. dumping height	mm	2,220	2,530
g : Front minimum swing radius	mm	1,310	1,610
h : Minimum swing radius during swing	mm	1,100	1,320
i : Maximum blade height	mm	220	285
j : Maximum blade depth	mm	190	240

- Thoroughly read the operation manual before using this machine to ensure correct and safe usage.
- Specifications and appearance are subject to change without notice.
- The photos used in this catalog were taken specifically for the catalog. When you leave the machine, be sure to follow the instructions in the operation manual.
- Please note that for designated, non-standard colors painting will be charged separately.

AIRMAN is a registered product trademark of Hokuetsu Industries, Co., Ltd.

HOKUETSU INDUSTRIES CO., LTD.

8TH Floor Shinjuku San-Ei Bldg,
22-2 Nishi-Shinjuku 1-Chome, Shinjuku-ku, Tokyo 160-0023 Japan
TEL:81-3-3348-7281 FAX:81-3-3348-7289
E-mail:oversea@airman.co.jp
http://www.airman.co.jp

HOKUETSU INDUSTRIES EUROPE B.V.

Breguetlaan 12,1438 BC Oude Meer, The Netherlands
PHONE:31-20-6462636 FAX:31-20-6462191
e-mail:info@hokuestu.nl

SAFETY

- Operate safely in accordance with proper operation manual.
- To prevent trouble and accidents, perform daily and preventive maintenance checks without fail.



ISO9001 : JQA-0581
ISO14001 : JQA-EM4670

No.1 AX10u-4/17u-4 07-03 ①